



Data Display Products®

# T-1<sup>3</sup>/<sub>4</sub> PCB MOUNT LEDs

*Dual-Stacked*

- Single or Variable Array
- For Detailed LED Data, See Discrete Section, MODEL 190

Model		Top LED	Bottom LED	Color	λpk (nm)	Iv <sup>[2]</sup> (mcd)	Tint
<b>PCLT195</b>	Right Angle Mount	<b>SR</b>	<b>/SR</b>	RED	655	2	Diffused
<b>PCT190</b>	Right Angle Mount	<b>LR</b>	<b>/LR</b>	RED	635	12	Diffused
<b>PCLT195N<sup>[1]</sup></b>	Right Angle Array	<b>LCR</b>	<b>/LCR</b>	RED	635	34	Clear tinted
		<b>LA</b>	<b>/LA</b>	AMB	585	7	Diffused
		<b>LCA</b>	<b>/LCA</b>	AMB	585	38	Clear tinted
		<b>LG</b>	<b>/LG</b>	GRN	565	12	Diffused
		<b>LGG</b>	<b>/LGG</b>	GRN	565	38	Clear tinted

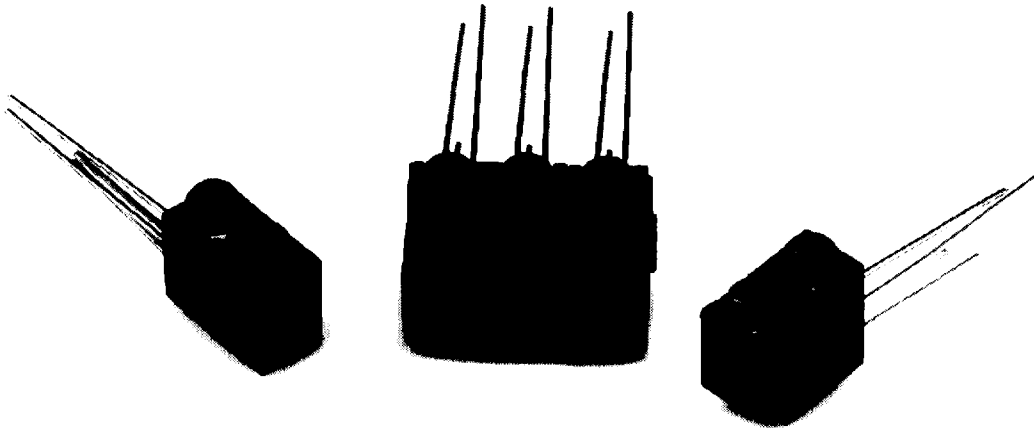
[1] Replace N with the number of LEDs in the array, 2 - 8 (e.g. PCLT1953).

[2] Iv = typical luminous intensity @ If = 20mA (Ta=25°C).

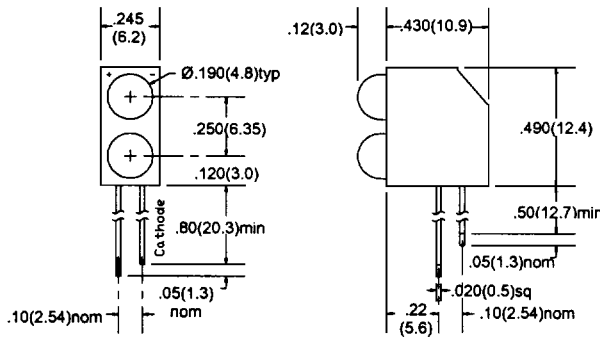
**To Order:**  
**Example:**

Select one **BOLD** component from each **SHADED** column in the table. Select LEDs from the same series.  
Part Number **PCLT195-LG/LA**:

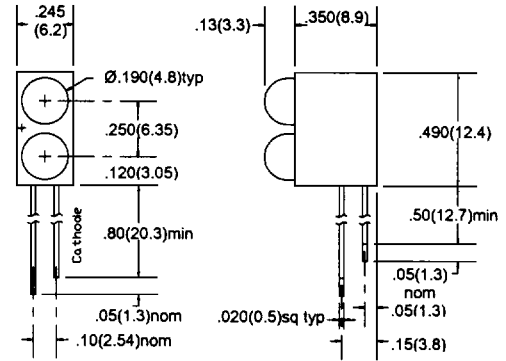
Model	Top LED	Bottom LED
<b>PCLT195</b>	<b>-LG</b>	<b>/LA</b>



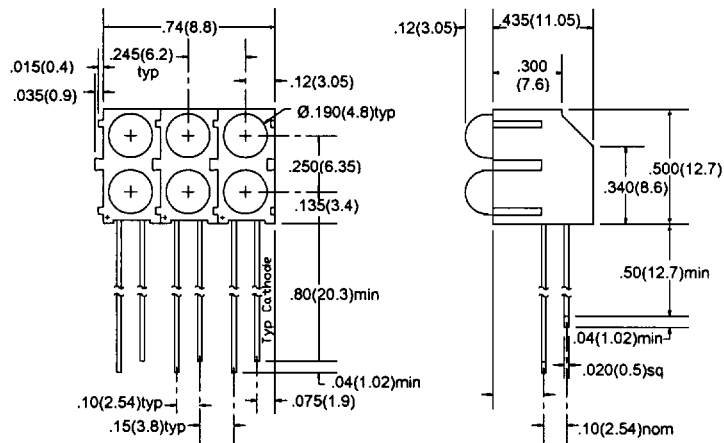
Continued...



PCLT195



PCT190



PCLT1953

All dimensions are in inches(mm)  
Tolerances: .xx"(x)  $\pm 0.25$ "(.63) / .xxx"(xx)  $\pm 0.10$ "(.25)  
Specifications are subject to change without notice.